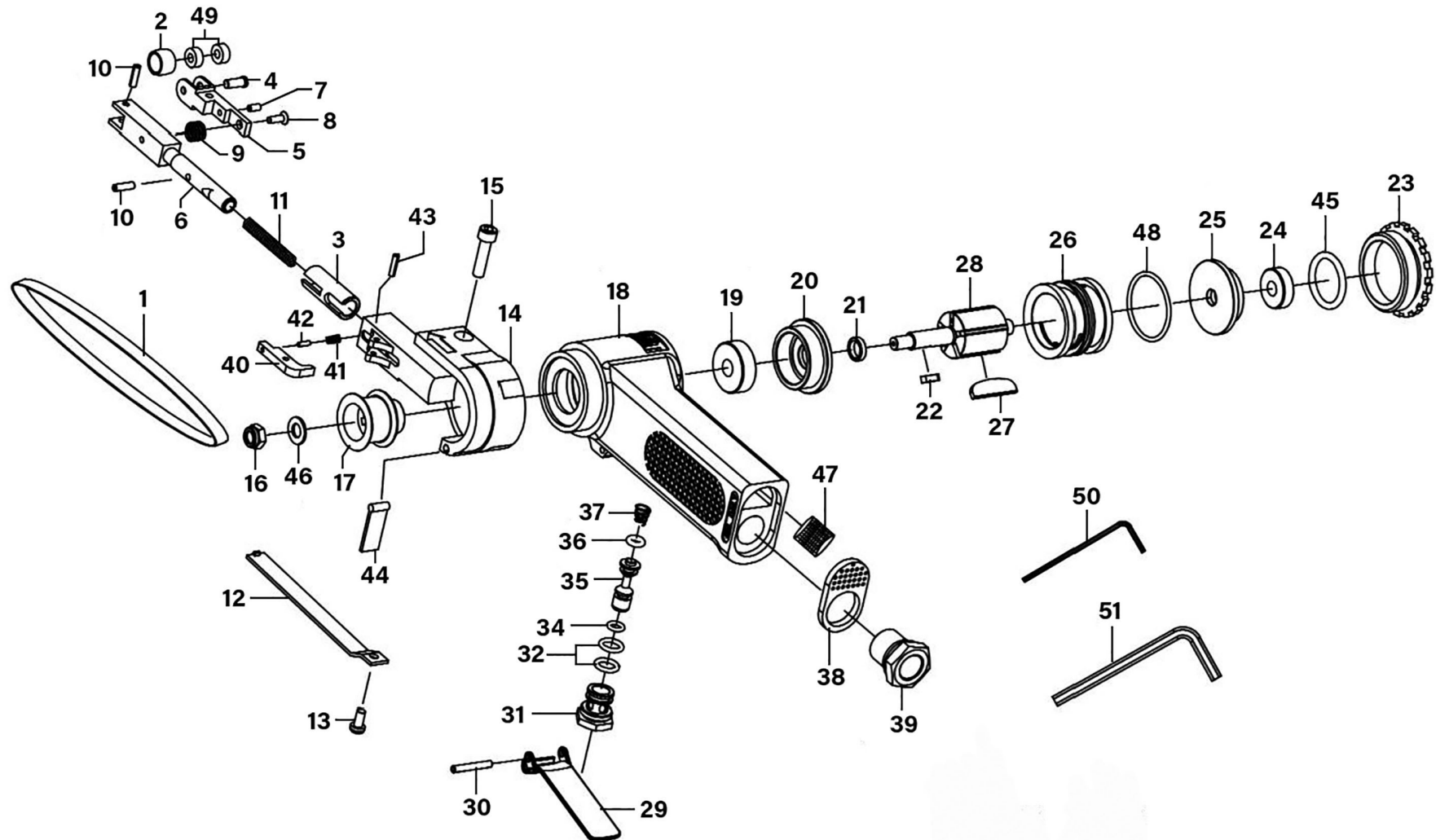


Parts Information:
Air Belt Sander 10 x 330mm
Model No: S01046.V2



NOTE: It is our policy to continually improve products and as such we reserve the right to alter data, specifications and component parts without prior notice.

There may be alternative versions of this product, please contact us should you require this information.

IMPORTANT: No liability is accepted for incorrect use of product. Spare parts must be fitted by a competent person

WARRANTY: Guarantee is 12 months from purchase date, proof of which will be required for any claim.

Sealey Group, Kempson Way, Suffolk Business Park, Bury St Edmunds, Suffolk. IP32 7AR



01284 757500



sales@sealey.co.uk



www.sealey.co.uk

Item	Part No.	Description
1	SA35/B80G	Sanding Belt 10 x 330mm 80Grit Pack of 5
1	SA35/B100G	Sanding Belt 10 x 330mm 100Grit Pack of 5
1	SA35/B120G	Sanding Belt 10 x 330mm 120Grit Pack of 5
2	S01046.02	Idle Pulley
3	S01046.03	Bushing
4	S01046.04	Idle Pulley Shaft
5	S01046.05	Bracket
6	S01046.06	Tension Bar
7	GSM36.S	Grub screw M3x6 (Single)
8	MSC38.S	Csk Phillips Machine Screw M3 x 8 Zinc
9	S01046.09	Spring Dia 8.2mm
10	SA35/93/06/10	Spring Pin M3 X 10
11	S01046.11	Spring Dia 5.12mm
12	S01046.12	Shoe
13	MSP58.S	Machine Screw Pan Head Phillips M5x8mm (Single)
14	S01046.14	Guard Sub Ass'y (a)
15	SCB520.SB	Socket Cap Bolt M5 X 20mm Black
16	SN6.S	Steel Nut M6 Zinc
17	S01046.17	Drive Pulley
18	S01046.18	Housing
19	B/628ZZ	Bearing 628ZZ
20	S01046.20	End Plate (b)
21	S01046.21	Spacer
22	S01046.22	Sunk Key
23	S01046.23	Cap
24	S01046.24	Bearing
25	S01046.25	End Plate (a)

Item	Part No.	Description
26	S01046.26	Cylinder
27	S01046.27	Blade Ass'y (5pc/Set)
28	S01046.28	Rotor
29	S01046.29	Throttle Lever
30	SA35/93/30	Spring Pin M3 X 23
31	S01046.31	Valve Body
32	GSA08.09-4	O-Ring, (Ex: 11.21 In: 7.65 Cs: 1.78)
34	SA77S.V4-19	O-Ring, (Ex: 8.03 In: 4.47 Cs: 1.78)
35	S01046.35	Valve Stem
36	S01046.36	O-Ring, (Ex: 9.20 In: 4.36 Cs: 2.42)
37	S01046.37	Valve Compression Spring Conical
38	S01046.38	Deflector
39	S01046.39	Air inlet
40	S01046.40	Tension Bar
41	S01046.41	Spring Dia 3.5mm
42	S01046.42	Lever Pin
43	S01046.43	Spring Pin M2.7 X 10
44	S01046.44	Dust Cover
45	S01046.45	O-Ring, (Ex: 39.24 In: 33.02 Cs: 3.11)
46	FWM6.S	Flat Washer M6 Zinc
47	S01046.47	Muffler
48	S01046.48	O-Ring (33x1.9)
49	B/684ZZ	Bearing 684ZZ
50	S01046.50	Hex Key, 1.5x47mm, Silver, Standard
51	S01046.51	Hex Key, 4x66mm, Black, Standard
--	S01046.33	O-Ring (Not Shown)

NOTE: It is our policy to continually improve products and as such we reserve the right to alter data, specifications and component parts without prior notice. There may be alternative versions of this product, please contact us should you require this information.

IMPORTANT: No liability is accepted for incorrect use of product. Spare parts must be fitted by a competent person

WARRANTY: Guarantee is 12 months from purchase date, proof of which will be required for any claim.